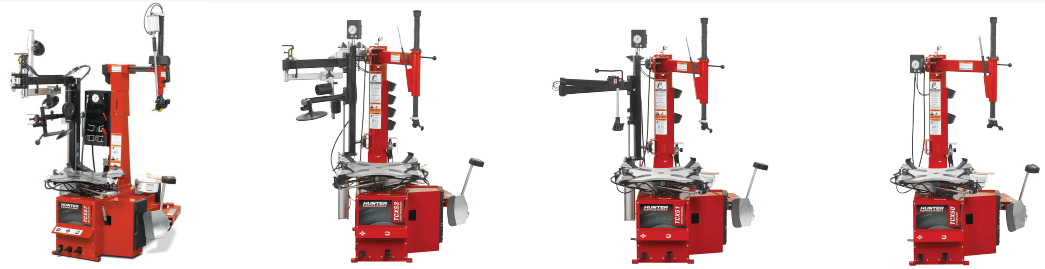


TCX 56, 57, & H Series

Model Tire Changers

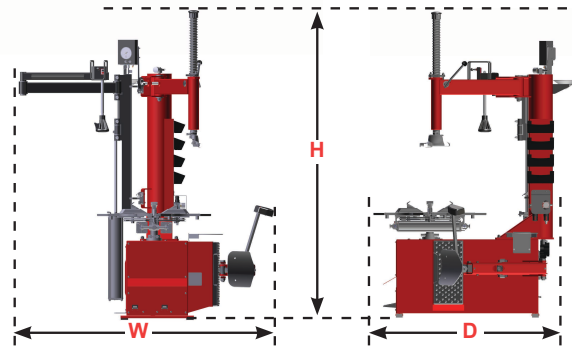
HUNTER
Engineering Company

SITE REQUIREMENTS



	TCX57 & TCX56	TCX53H	TCX51H	TCX50H
Power Requirements	208–230V, 6A, 50Hz, 1ph, NEMA L6-20P	208-230V, 6A, 50Hz, 1ph, NEMA L6-20P	208-230V, 6A, 50Hz, 1ph, NEMA L6-20P	208-230V, 6A, 50Hz, 1ph, NEMA L6-20P
Drive	7 and 17 rpm CW 7 rpm CCW	7 and 17 rpm CW 7 rpm CCW	7 and 17 rpm CW 7 rpm CCW	7 and 17 rpm CW 7 rpm CCW
Air Supply Requirements	110–145 psi (8–10 bar)	110 - 145 psi (8 - 10 bar)	110 - 145 psi (8 - 10 bar)	110 - 145 psi (8 - 10 bar)
Shipping Weight	1,056 lbs (479 kg)	850 lbs (386 kg)	810 lbs (367 kg)	680 lbs (308 kg)
Shipping Weight w/Wheel Lift	1,137 lbs (516 kg)	936 lbs (425 kg)	896 lbs (406 kg)	766 lbs (347 kg)
Width (W)	55" (1,397 mm)	55" (1,397mm)	55" (1,397 mm)	40" (1,016 mm)
Height (H)	82" (2,082 mm)	82" (2,082 mm)	82" (2,082 mm)	82" (2,082 mm)
Depth (D)	55" (1,397 mm)*	47" (1,194 mm)*	47" (1,194 mm)*	47" (1,194 mm)*

* Add 14 in. to depth for wheel lift



KEY SPECIFICATIONS

	TCX57 & TCX56	TCX53H	TCX51H	TCX50H
Mount / Demount Tool	Leverless Mount Head w / protection (57) OR Standard Mount Head w / protection (56)	Plastic Mount Head w / protection	Plastic Mount Head w / protection	Plastic Mount Head w / protection
Swing Arm Style	Powered w / Memory	Manual	Manual	Manual
Clamping Type	Table Top	Table Top	Table Top	Table Top
Bead Loosening Type	PowerOut Side Shovel	PowerOut Side Shovel	PowerOut Side Shovel	PowerOut Side Shovel
Match Mounting Capable	Yes	No	No	No
Rim Diameter Range	10–26" / 6–30" (with standard adaptors)	10–26" External 12–28" Internal	10–26" External 12–28" Internal	10–26" External 12–28" Internal
Maximum Tire Diameter	43.3" (1,100 mm)	46" (1,168 mm)	46" (1,168 mm)	46" (1,168 mm)
Maximum Wheel Width	14.5" (368 mm)	14" (356 mm)	14" (356 mm)	14" (356 mm)

For tire changer information visit:
www.hunter.com/tire-changers

For general inquiries visit:
www.hunter.com or call 800-448-6848

Form 7415-TE, 06-19a

Because of continuing technological advancements, specifications, models and options are subject to change without notice.

Copyright © 2017-2020, Hunter Engineering Company