

### SPECIFICATIONS



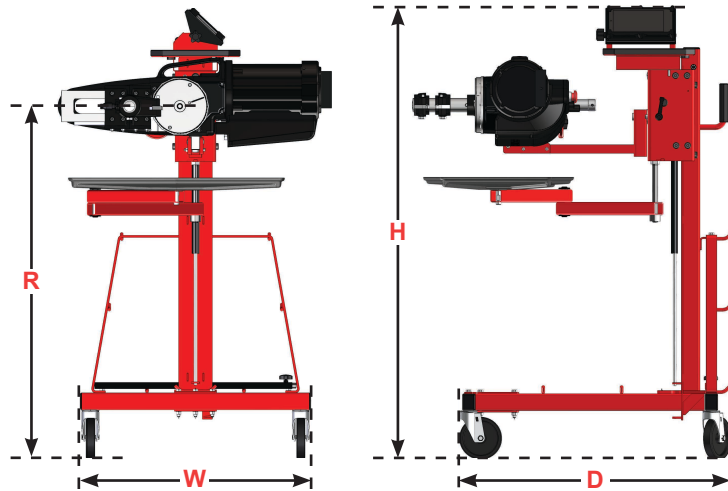
ACE10E shown with optional adaptors

#### Brake Lathe Specifications

|                                       |   |
|---------------------------------------|---|
| <b>Power Requirements</b>             | 220V, 15A, 50-60Hz, 1 ph<br>(115V, 50-60 Hz Configurable) |
| <b>Rotor Max Diameter</b>             | 417 mm (16.40 in.)<br>445mm (17.50 in.) *                 |
| <b>Rotor Max Thickness</b>            | 44 mm (1.75 in.)<br>70 mm (2.75 in.) *                    |
| <b>Rotor Max Friction Face</b>        | 92 mm (3.63 in.)<br>94 mm (3.69 in.)*                     |
| <b>Feed Distance</b>                  | 148mm (5.84 in.)  |
| <b>Max Runout Compensation</b>        | .5 mm (.020 in.)  |
| <b>Spindle Speed</b>                  | Adjustable & auto variable<br>(ACT), 0–150 rpm reversible |
| <b>Motor</b>                          | 1.12 kw (1.5 hp) @ 3450 rpm                               |
| <b>Optional Tablet</b>                | 7 in. display with Android® OS                            |
| <b>Spindle Height, High Range (R)</b> | 622–1029 mm (24.5"–40.5")                                 |
| <b>Spindle Height, Low Range (R)</b>  | 514–921 mm (20.25"–36.25")**                              |
| <b>Width (W)</b>                      | 686 mm (27 in.)   |
| <b>Height (H)</b>                     | 1194 mm (47 in.)  |
| <b>Depth (D)</b>                      | 864 mm (34 in.)   |

\* With optional Extended Twin Cutter Tool Assembly (20-1853-1)

\*\* With lift strut in lower position



### MODEL INFORMATION

| Features         | ACE00            | ACE10            |
|------------------|------------------|------------------|
| Tablet Interface |                  | ✓                |
| Shipping Weight  | 203 lbs. (92 kg) | 208 lbs. (94 kg) |

For on-car brake lathe information visit:

[www.hunter.com/brake-lathes/autocomp](http://www.hunter.com/brake-lathes/autocomp)

For local contact visit:

[www.hunter.com/contact-hunter](http://www.hunter.com/contact-hunter)

For general inquiries visit:

[www.hunter.com](http://www.hunter.com)

or call

800-448-6848